



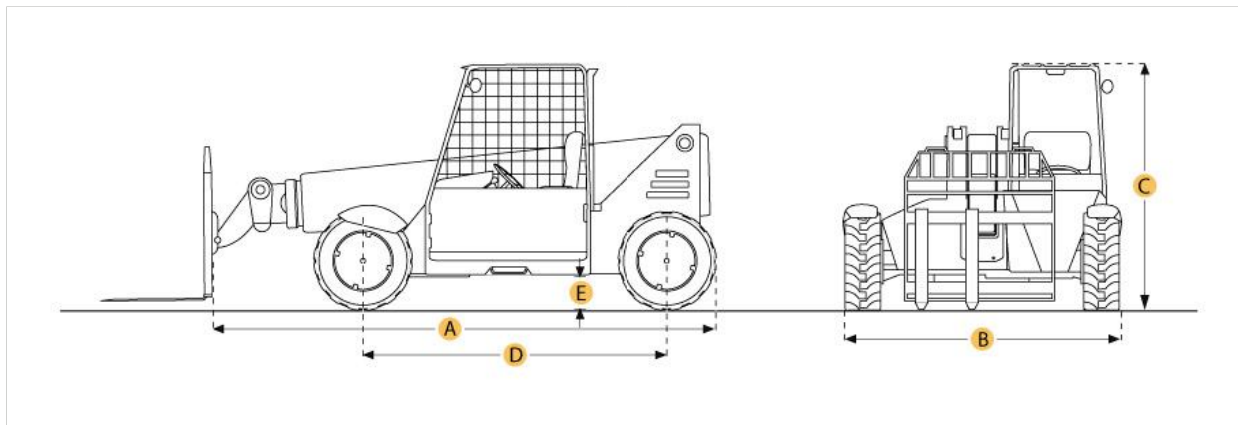
[Home](#) → [Spec Search](#) → [All Types](#) → [Telescopic Forklift](#) → [CATERPILLAR](#) → th360b

CATERPILLAR TH360B TELESCOPIC FORKLIFT

[VIEW ARTICLES ON THIS ITEM](#)

Print specification

[Help improve this specification](#)



Selected Dimensions

Dimensions		
A. LENGTH TO FORK FACE	21.6 ft in	6590 mm
B. WIDTH OVER TIRES	8 ft in	2440 mm
C. OVERALL HEIGHT	8.5 ft in	2600 mm
D. WHEELBASE	10.5 ft in	3200 mm
E. GROUND CLEARANCE	19.9 ft in	505 mm
Lift		
F. MAX LIFT HEIGHT	44.3 ft in	13500 mm
G. MAX FORWARD REACH	30.2 ft in	9200 mm

Specification

Engine		
MAKE	Caterpillar	
MODEL	3054E	
GROSS POWER	99.9 hp	74.5 kw
NET POWER	96.3 hp	71.8 kw
POWER MEASURED @	2200 rpm	
MAX TORQUE	302.4 lb ft	410 Nm
TORQUE MEASURED @	1400 rpm	
DISPLACEMENT	268.5 cu in	4.4 L
NUMBER OF CYLINDERS	4	

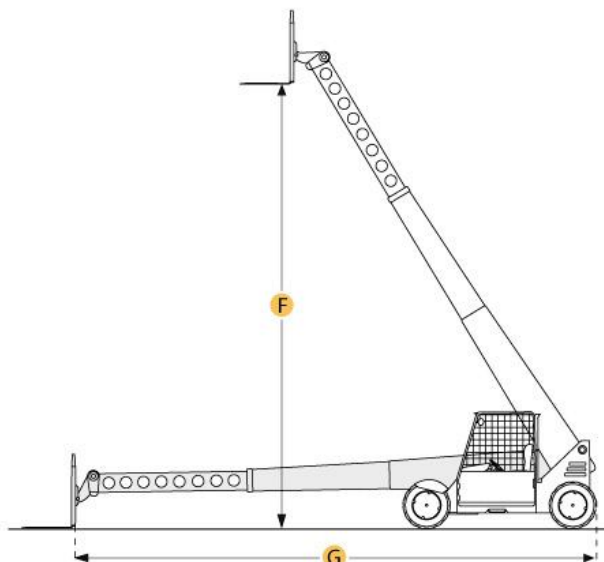
Operational		
OPERATING WEIGHT	21980.1 lb	9970 kg
FUEL CAPACITY	26.4 gal	100 L
HYDRAULIC SYSTEM FLUID CAPACITY	17.2 gal	65 L
OPERATING VOLTAGE	12 V	
ALTERNATOR SUPPLIED AMPERAGE	90 amps	
TIRE SIZE	13.00-24	

Transmission		
TYPE	Power shift	
NUMBER OF FORWARD GEARS	4	
NUMBER OF REVERSE GEARS	3	
MAX SPEED - FORWARD	19.9 mph	32 km/h
MAX SPEED - REVERSE	12.4 mph	20 km/h

Hydraulic		
PUMP TYPE	variable displacement load sensing axial piston pump	
PUMP FLOW CAPACITY	29.9 gal/min	113 L/min
RELIEF VALVE PRESSURE	3625.9 psi	25000 kPa

Lift		
MAX LIFT CAPACITY	6613.9 lb	3000 kg
MAX LIFT HEIGHT	44.3 ft in	13500 mm
MAX LOAD AT MAX HEIGHT	6613.9 lb	3000 kg
MAX FORWARD REACH	30.2 ft in	9200 mm
MAX LOAD AT MAX REACH	3086.5 lb	1400 kg

Dimensions		
LENGTH TO FORK FACE	21.6 ft in	6590 mm
WIDTH OVER TIRES	8 ft in	2440 mm
OVERALL HEIGHT	8.5 ft in	2600 mm
WHEELBASE	10.5 ft in	3200 mm



Viewing Photo 1 of 5

GROUND CLEARANCE	19.9 ft in	505 mm
TURNING RADIUS OUTSIDE TIRES	12.8 ft in	3900 mm



[Photo 2](#)

© 2007-2010 RitchieSpecs Equipment Specifications Ritchie Bros. Auctioneers © | [Terms of Use](#) | [Privacy Statement](#)



[Photo 3](#)



[Photo 4](#)



[Photo 5](#)